



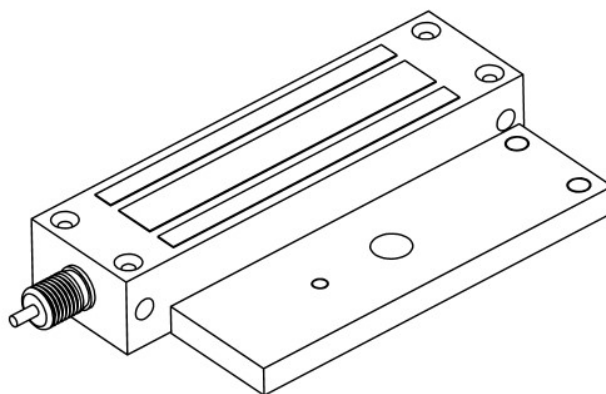
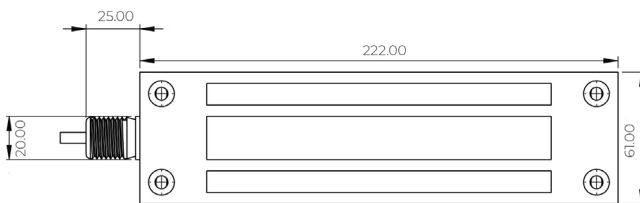
Electronics Ltd

EXTERNAL MAGNETIC LOCK (1200LB)

MAGNETIC LOCK



EXML1200-GATE



IP66 external range of maglocks and brackets from a market leader in access control.

SPECIFICATION FEATURES OTHER PRODUCTS

EXML1200-GATE

- Stainless steel housing
- 545kg (1200lb) holding force
- Dual voltage 12/24 VDC @ 500/250mA
- Comes complete with 1 metre cable
- Built in surge protection
- Surface mount
- Fail safe operation (power to lock)
- +/- 15% voltage tolerance
- -10° to +50° operating temperature
- Push off release pin on armature
- Monitored
- COM/NO/NC Voltage free relay contacts

EXML1200-GATE

- External magnet IP66
- Weatherproof
- Dual voltage 12V/24V
- Side or face fixing
- Armature comes with fixing kit

Suitable Brackets/Housings:

- BKEX1200ZL (ZL bracket)
- BKEX1200L (L bracket)

WP66-G-GB-GR

KPX50

DIMENSIONS

EXML1200-GATE

- 222x61x38 (mm) Maglock
- 195x60x14 (mm) Armature
- 4.5kg Boxed
- 2.85kg Unboxed

CONTENTS

EXML1200-GATE

- External magnet
- Armature plate
- EX1200GB fixing kit
- Instructions
- Armature fixing template

RAINSHIELD

TRAN01-REC01

